

# EBS1BP Plug-on Circuit Breaker



## Function

EBS1BP Series Plug-on circuit breaker is used in protection lighting or power distribution system from over-load and short-circuit, apply to the circuit of AC 50Hz/60Hz, rated voltage less than 415V. The product adopt high fire resistant and shockproof plastics, quality metal materials, which is newly-designed in structure, light in weight, reliable in performance.

EBS1 BP Plug-on circuit breakers have an overcenter, trip-free toggle mechanism with quick-make, quick-break action and positive handle indication.

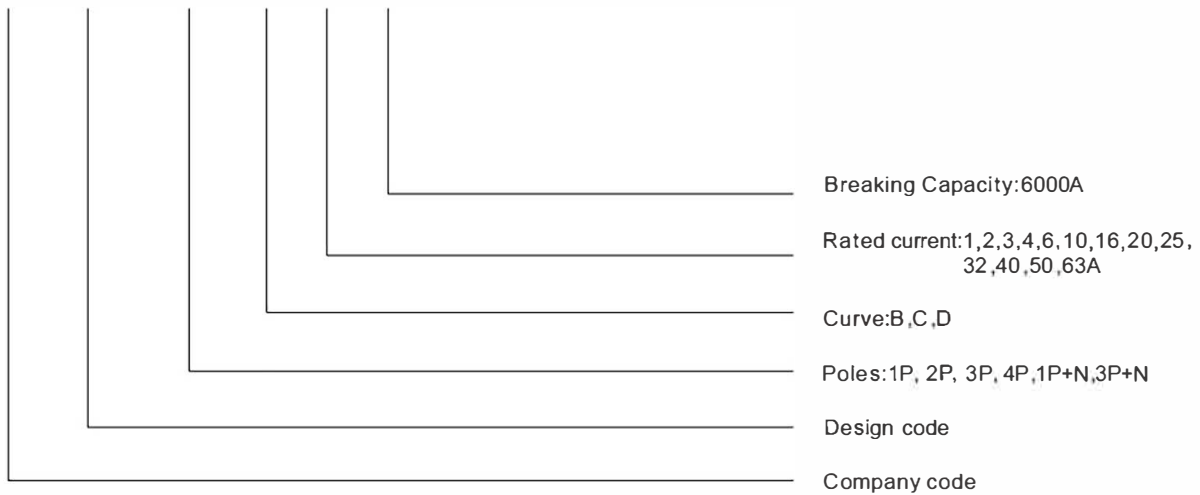
Products comply with IEC60898-1.



EBS1BP/2P

## Nomenclature

**EBS 1BP / 1P C 32 / 6K**



## Technical Parameter

Standard	IEC60898-1
Poles	1P, 2P, 3P, 4P
Rated current In (A)	1,2,3,4,6,10,16,20,25,32,40,50,63A
Rated voltage Un (V)	240/415V
Tripping characteristic	B,C,D
Electrical life (times)	6000
Mechanical life (times)	10000
Protection grade	IP20
Installation	<b>Plug-on mounted</b>
Breaking capacity	6kA
Connection Capacity:	≤25mm <sup>2</sup>

Model	Rated voltage	Breaking capacity
EBS1BP	1P:240/415V	6000A
	2-4P:415V	6000A

## Features

**It is a current limited device with high short circuit disconnecting capacity.**

Full function of overload and short circuit protection.

Safe terminal connection

Quick-make

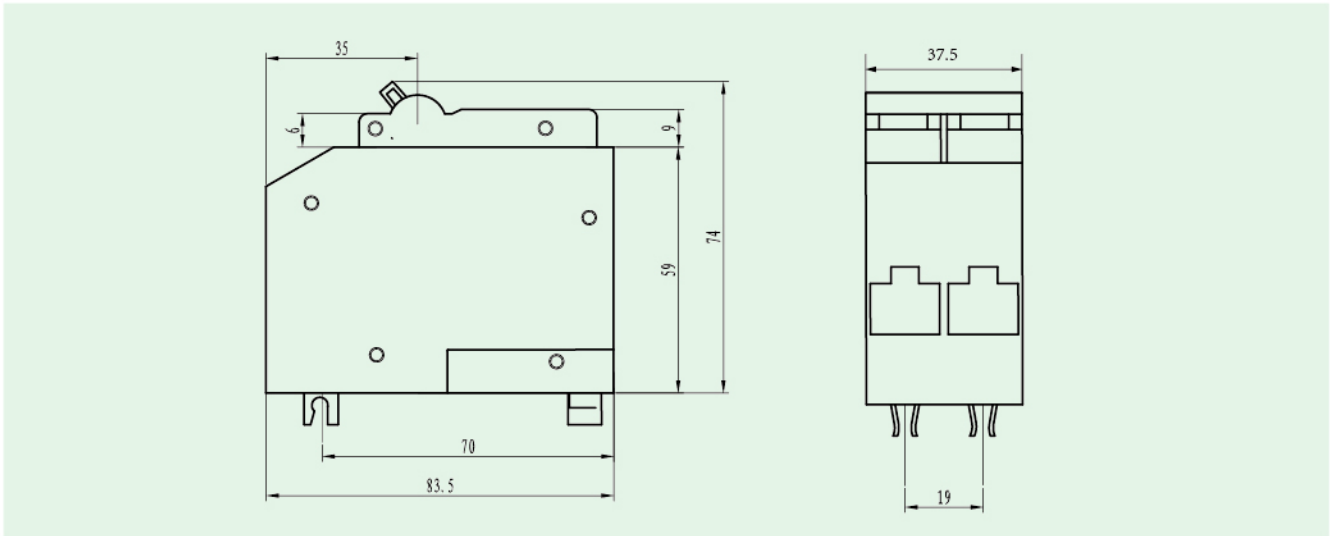
Quick-break

**Plug-on mounted**

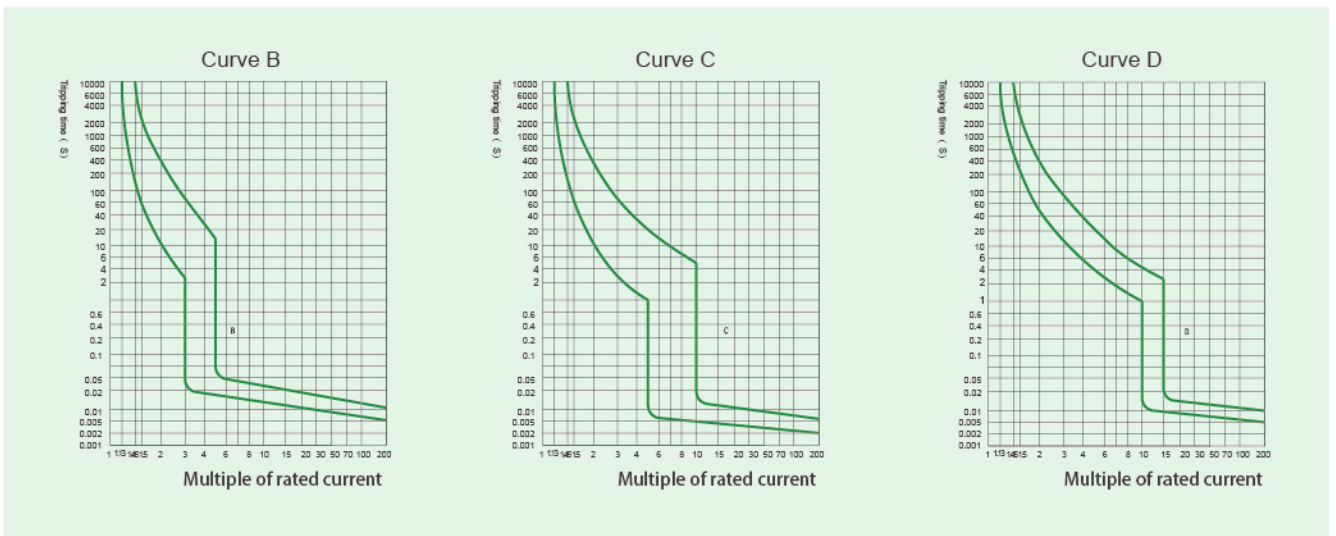
## Applicable Working and Busbar connection

Ambient temperature	-5~+40℃, the average value cannot exceednto +35℃ within 24h.
Altitude	≤2000m
Relative humidity	≤95%
Pollution level	II. It should be used appropriate casing to protect against high level of pollution.
Installation location	mount on the place where has no obvious vibration or impact

## Dimensions



## Characteristic Curve



## Order Note

### Following items should be marked when ordering

Product name, model&frame level  
Poles  
Tripping characteristic and rated current  
Quantity

### Ordering sample

To order the EBS1BP miniature circuit breaker, 1P, Curve C, rated current is 32A, and quantity is 180 pieces, should be marked:  
MCB EBS1BP/1PC32 180PCS.