 Specifications and technical data are subject to change without notice.  
Please contact us to confirm relevant information on ordering.



MODULAR TERMINAL

Copy right reserved EBS, NO.2016001



**Shanghai Ebasee Electric Co., Ltd**

Add:No.18, Gutang Rd,Shanghai 201209, China  
Tel: +86 21 5032 0898  
Fax: +86 21 5032 0828  
[http:// www.ebasee.com](http://www.ebasee.com)



APP

**Ebasee**  
Smart Living Green Ebasee  
**Ebasee Ltd.,China**

## Company Profile

As a leading supplier in the low voltage electrics industry, Shanghai Ebasee Electric Co., Ltd. products have been used for residential, commercial and industrial applications with its quality and service. EBASEE brand is recognized for its quality and reliability in an ever-increasing number of markets worldwide. So far EBASEE products have gained many international approvals, such as **TUV, KEMA, CB, SEMKO, RoHS, CE, and CCC** etc.

With quality raw materials and components supply, all products are manufactured to EBASEE's defined specifications. We have 4 semi-auto production lines, up to date quality control facilities, and well-trained skillful workers. Moreover, with a technical R & D team and fully equipped in-house laboratory, EBASEE factory can carry out efficient new products developing and daily production QC as well.

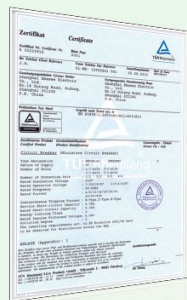
EBASEE have wide range cooperations with world leading companies in new products developing or OEM, ODM cooperation. Meanwhile we also process industry cooperation on intelligent home products, and work with some university such as Xi'an Jiao Tong University on project solutions. EBASEE is focused on achieving growth through the growth and success of its worldwide partners.

EBASEE, guided by the "market-oriented" philosophy, powered with the "Quick response and flexible supply" capability, can support our worldwide partners to compete against established global players to deliver the most comprehensive and cost-effective products and service in the market.

"Smart life, Green EBASEE"



## Enterprise credit



# EBS1BLE

## Residual Current Circuit Breaker with Over Current Protection



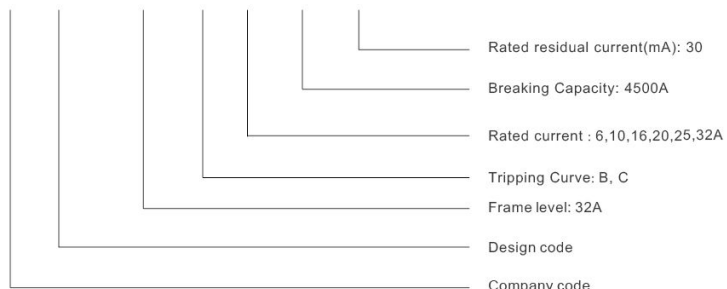
### Function

- Switching and isolation function
- Protect against electric shock caused by direct contact or indirect contact
- Protect against fire hazard caused by insulation faults
- Can be used in housing, tertiary sector and industry
- Overload protection and short circuit protection



### Nomenclature

EBS 1BLE - 32 C 20 4.5K 30



### Features

- Electromagnetic type, voltage independent

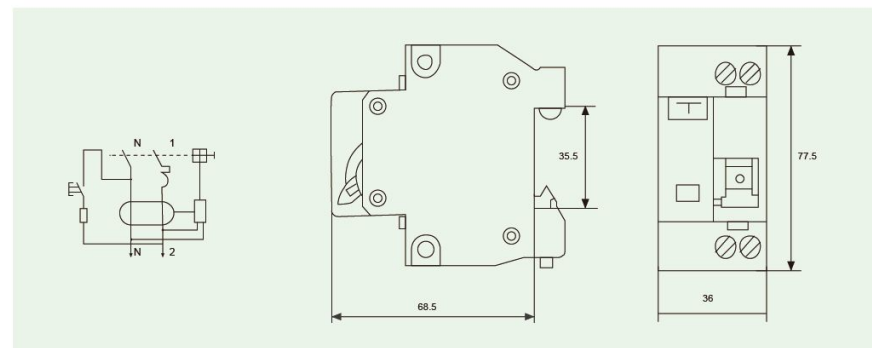
### Type

- Type AC : For which tripping is ensured for residual sinusoidal alternating currents, whether suddenly applied or slowly rising.

### Technical Parameter

Standard	IEC61009-1
Poles	1P+N
Rated current In (A)	6,10,16,20,25,32A
Rated voltage Un (V)	230V AC 50/60Hz
Tripping characteristic	B,C
Rated sensitivity currents, I <sub>Δn</sub> (mA)	30
Rated short circuit breaking capacity	4500
Protection grade	IP20
Installation	installed on 35mm DIN rail

### Dimensions



### Tripping Curve

#### Curve B:

(3-5I<sub>n</sub>) protect and control circuit against overload and short circuit; protect people and length cables in TN and IT systems.

#### Curve C:

(5-10I<sub>n</sub>) protect and control circuit against overload and short circuit; protect resistive and inductive loads with low inrush current.

### Order Note

Following items should be marked when ordering	Ordering sample
Product Name, Model&Frame level	To order the EBS1BLE RCBO,frame level 32A, rated current is 20A,
Rated current	tripping curve is C, rated residual current 30mA and quantity is 100
Rated residual current	pieces, should be marked:
Tripping curve	RCBO EBS1BLE-32/C20/30,100pcs
Quantity	