



Specifications and technical data are subject to change without notice.
Please contact us to confirm relevant information on ordering.

Shanghai Ebasee Electric Co., Ltd

Add: No.18, Gutang Rd, Shanghai 201209, China

Tel: +86 21 5032 0898

Fax: +86 21 5032 0828

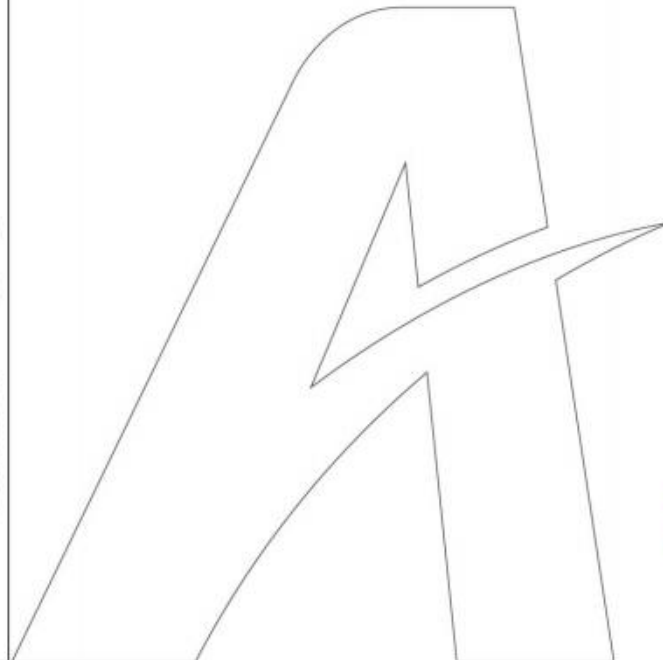
http: // www.ebasee.com



APP

MODULAR TERMINAL

Copy right reserved EBS. NO.2016001



Ebasee
Smart Living Green Ebasee
Ebasee Ltd., China

Company Profile

As a leading supplier in the low voltage electrics industry, Shanghai Ebasee Electric Co., Ltd. products have been used for residential, commercial and industrial applications with its quality and service. EBASEE brand is recognized for its quality and reliability in an ever-increasing number of markets worldwide. So far EBASEE products have gained many international approvals, such as **TUV, KEMA, CB, SEMKO, RoHS, CE, and CCC** etc.

With quality raw materials and components supply, all products are manufactured to EBASEE's defined specifications. We have 4 semi-auto production lines, up to date quality control facilities, and well-trained skillful workers. Moreover, with a technical R & D team and fully equipped in-house laboratory, EBASEE factory can carry out efficient new products developing and daily production QC as well.

EBASEE have wide range cooperations with world leading companies in new products developing or OEM, ODM cooperation. Meanwhile we also process industry cooperation on intelligent home products, and work with some university such as Xi'an Jiao Tong University on project solutions. EBASEE is focused on achieving growth through the growth and success of its worldwide partners.

EBASEE, guided by the "market-oriented" philosophy, powered with the "Quick response and flexible supply" capability, can support our worldwide partners to compete against established global players to deliver the most comprehensive and cost-effective products and service in the market.

"Smart life, Green EBASEE"



Enterprise credit



EBS3R

Residual Current Circuit Breaker



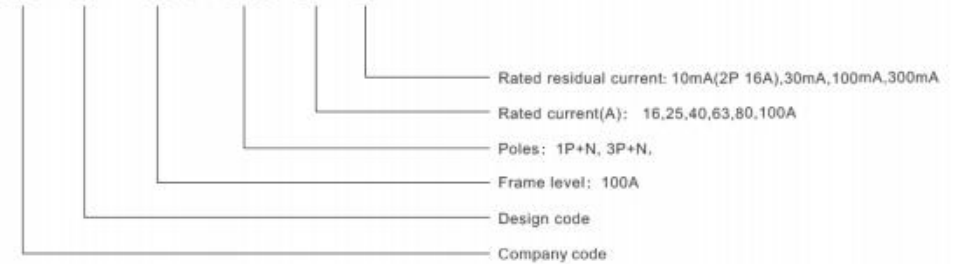
Function

- Switching and isolation function
- Controlling
- Protection against the effects of sinusoidal alternating earth fault currents
- Protection against indirect contacts and additional protection against direct contacts
- Protection against fire hazard caused by insulation faults
- Used in residential building, non-residential building, energy sources, industry and infrastructure.
- Combination with auxiliary elements: auxiliary contact, signal contact, shunt trip, undervoltage release



Nomenclature

EBS 3R - 100 / 1P+N 25 30



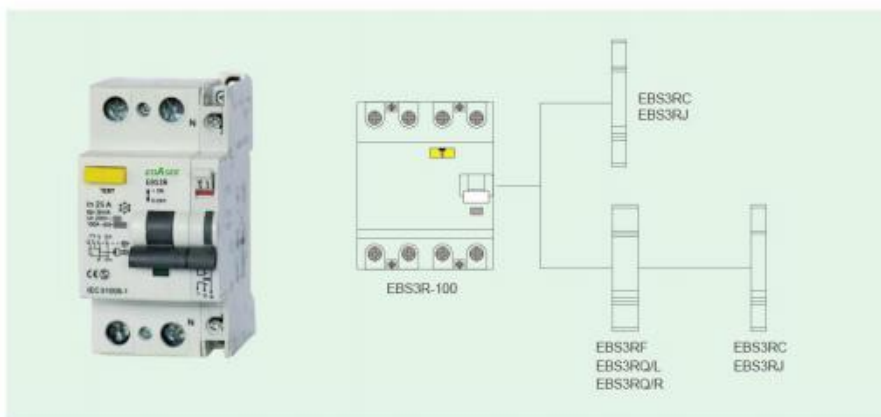
Features

- Electromagnetic type, voltage independent.
- The handle being sealable or equipped with padlock bracket avoids dangerous operation changes (ON / OFF)
 - The handle provides a clear indication of the contact position
 - Adequate printing of all data on the front provides long-term identification

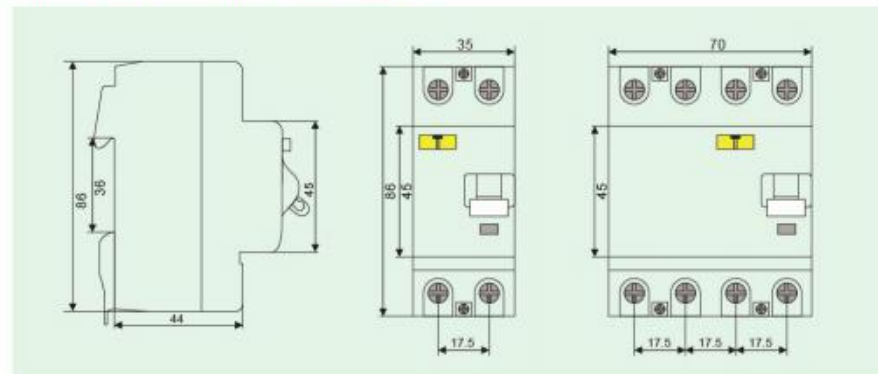
Technical Parameter

Standard	IEC 61008-1
Type (wave form of the earth leakage sensed)	AC, A
Trip time type	general use, selectivity of S
Poles	1P+N, 3P+N
Rated current In(A)	16,25,40,63,80,100
Rated voltage Ue (V AC)	230/400
Rated insulation voltage Ui (V AC)	500
Rated frequency Fn (Hz)	50/60
Rated residual currents(I _{Δn})(mA)	10(2P 16A), 30,100,300
Rated conditional short-circuit current	I _{nc} =I _{Δc} = 6000A SCPD fuse 100A Gg
Making and breaking capacity Im (A)	1000
Rated residual breaking capacity I _{Δm} (A)	1000
Degree of protection	IP20, with connected conductors
Terminals	
Terminal tightening torque(N·m)	2.5 -4
Ambient temperature (°C)	-25 ~ +45,max. 95 % humidity

Combination of Auxiliary Elements with EBS3R



Outline and Installation Dimensions



Types

Both RCCBs and RCBOs are further divided into types depending on the operating function:

- Type AC** : For which tripping is ensured for residual sinusoidal alternating currents, whether suddenly applied or slowly rising.
- Type A** : For which tripping is ensured for residual sinusoidal alternating currents and residual pulsating direct currents, whether suddenly applied or slowly rising.
- Type S** : For selectivity, with time delay.
- Type S** : For selectivity, with time delay.

Tripping Sensitivity Data

- RCD with a rated residual current of maximum 30 mA are used for personnel, material and fire protection, as well as for protection against direct contact.
- RCD with a rated residual current of maximum 300 mA are used as preventative fire protection in case of insulation faults.
- RCD with a rated residual current of 100mA co-ordinated with the earth system according to the formula $I_{\Delta n} < 50/R$, to provide protection against indirect contacts.
- RCD with a rated residual current of 10 mA are primarily used in areas that represent an exist risk for personnel.

Order Note

Following information needed be marked when order	Ordering sample
Product name and model	To order EBS3R-100 residual current circuit breaker, frame level
Frame level	100A, 1P+N, rated current 25A, rated residual current is 30mA,
Poles	quantity 100 pieces, should be marked.
Tripping characteristic and rated current	Residual current circuit breaker EBS3R-100/1P+N 2530, 100 PCS.
Rated residual current	
Quantity	

Quick-selection Table of EBS5B Series

Product type	Product model	Rated current In (A)	Number of poles	Number of modules (multiple of 8mm)	Short circuit breaking capacity Icn (kA)	Rated residual operating current IΔn (mA)	Tripping curve	Rated limited residual short circuit current IΔc(A)	Matched accessories
MCB	EBS5B	1,2,3,4,6,10,16,20,25,32,40,50,63	1P,2P,3P,4P	2/4/6/8	6/10	—	B/C/D	—	EBS5B-OF EBS5B-SD EBS5B-MX EBS5B-MV+MN
	EBS5B DPN	2,6,10,16,20,25,32,40	1P+N	2	4.5/6	—	C	—	—
Accessories	EBS5B-MX	—	1P	2	—	—	—	—	—
	EBS5B-OF	—	1P	2	—	—	—	—	—
	EBS5B-SD	—	1P	2	—	—	—	—	—
	EBS5B-MV+MN	—	1P	2	—	—	—	—	—
RCBO	EBS5BL	6,10,16,20,25,32	1P+N	4	4.5	30	C	4500	—
RCCB	EBS5R	25,40,63	2P,4P	4/8	—	10/30/100 300	—	3000	—
Mini contactor	EBS5CH	16,25,40,63 100	1P,2P,3P,4P	2/4/6/12	—	—	—	—	—
Voltage Protector	EBS2P5 EBSTP5	20,32,40,63	2P,4P	4/8	—	—	—	—	—

Note: 1.rated voltage of EBS5B(Un): 1P-230/400V~, 2-4P-400V~

2.Rated voltage of EBS5R Series(Un): 2P-230~240V AC50Hz; 4P-400~415V AC 50Hz