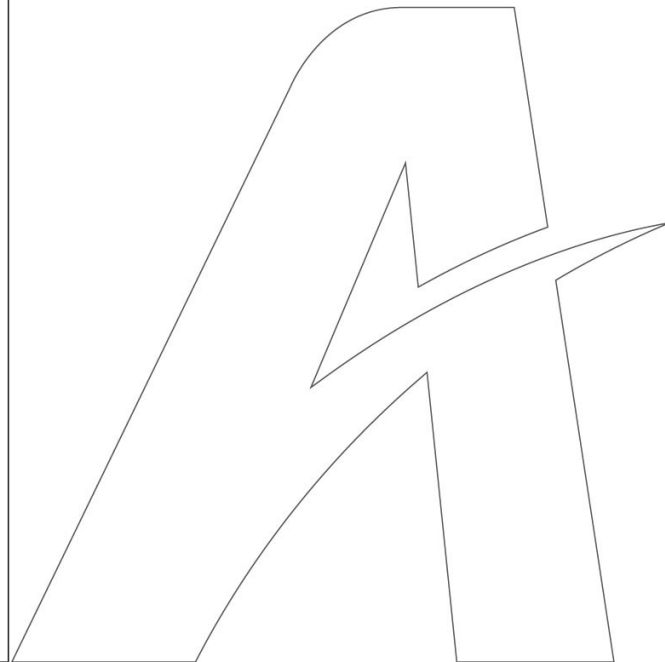
 Specifications and technical data are subject to change without notice.  
Please contact us to confirm relevant information on ordering.



CIRCUIT BREAKER

Copy right reserved EBS.NO.2016002



**Shanghai Ebasee Electric Co., Ltd**

Add:No.18, Gutang Rd,Shanghai 201209, China  
Tel: +86 21 5032 0898  
Fax: +86 21 5032 0828  
[http:// www.ebasee.com](http://www.ebasee.com)



APP

**Ebasee**  
Smart Living Green Ebasee  
**Ebasee Ltd.,China**

## Company Profile

As a leading supplier in the low voltage electrics industry, Shanghai Ebasee Electric Co., Ltd. products have been used for residential, commercial and industrial applications with its quality and service. EBASEE brand is recognized for its quality and reliability in an ever-increasing number of markets worldwide. So far EBASEE products have gained many international approvals, such as **TUV, KEMA, CB, SEMKO, RoHS, CE, and CCC** etc.

With quality raw materials and components supply, all products are manufactured to EBASEE's defined specifications. We have 4 semi-auto production lines, up to date quality control facilities, and well-trained skillful workers. Moreover, with a technical R & D team and fully equipped in-house laboratory, EBASEE factory can carry out efficient new products developing and daily production QC as well.

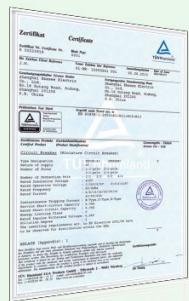
EBASEE have wide range cooperations with world leading companies in new products developing or OEM, ODM cooperation. Meanwhile we also process industry cooperation on intelligent home products, and work with some university such as Xi'an Jiao Tong University on project solutions. EBASEE is focused on achieving growth through the growth and success of its worldwide partners.

EBASEE, guided by the "market-oriented" philosophy, powered with the "Quick response and flexible supply" capability, can support our worldwide partners to compete against established global players to deliver the most comprehensive and cost-effective products and service in the market.

"Smart life, Green EBASEE"



## Enterprise credit



# PC Class EATS3 Series Dual-Power Automatic Transfer Switch

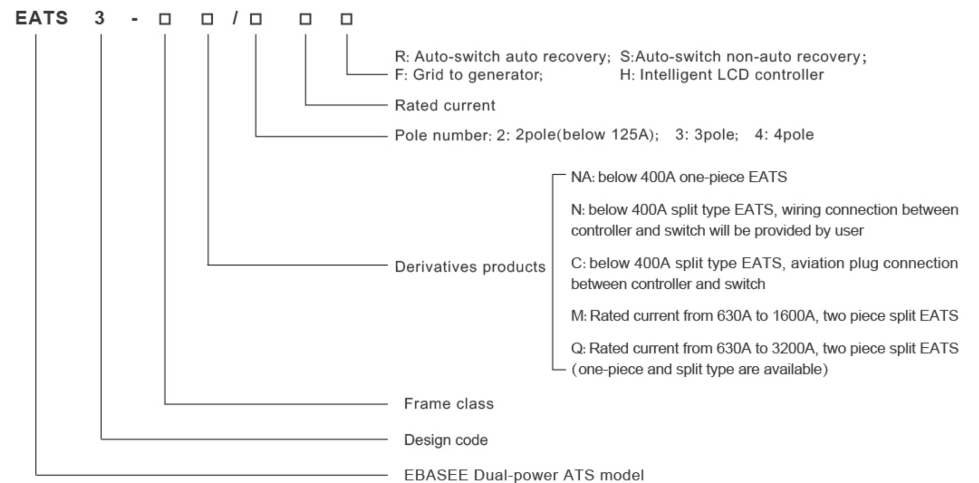
## Advantage

- >EATS3 series automatic transfer switch is EBASEE independent developed products, comply with IEC 60947-6-1 standard;
- >Small volume, convenient installation.
- >Mode of auto switch auto recovery, auto switch non-auto recovery, can be selected freely, with automatic and manual two models.
- >Under voltage over voltage protection, open-phase protection ,complete function
- >There are one-piece,split two types for users to choose
- >2 pole,3 pole,4 pole,complete specifications
- >Operating parameter adjustable
- >Rated voltage 400V, rated current 10A~3200A

## Application Range

EATS3 series automatic transfer switch is suitable for the rated voltage 240/415V AC 50/60Hz frequency, emergency power supply system. One source power failure, automatically transfer between power supply and backup power source, no need manual operating, ensure the power supply reliability of important user. Mainly used in hospitals, shopping mall, Bank, chemical industry, metallurgy, high-rise building, military facility and fire protection, etc. Some important places where do not allow power off.

## Nomenclature



## Structure and Specifications

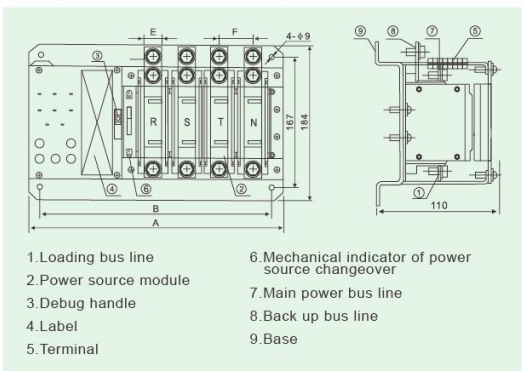
EATS3 series EATS consists of ontology and switch controller of two parts. Products use the electromagnetic drive, switching controller work power; standby power supply is used to exchange 220V voltage, without additional control power supply. Ontology switch has the function of electrical or mechanical closing instructions used as a isolation indicator



**[NA] Type EATS  
(Integrated two sections)**



[NA] type EATS dimension drawing



Code	Pole number	EATS3-32NA	EATS3-125NA
A	2P	216	237
	3P	243	274
	4P	270	311
B	2P	196	217
	3P	223	254
	4P	250	291
E		12	20
F		27	37

**[NA] type EATS specifications**

Item	EATS3-32NA			EATS3-40NA			EATS3-63NA			EATS3-125NA		
Rated current (A)	16, 25, 32			40			63			125		
Operating current (A)	3.5											
Rated short-time withstand current (kA)	5											
Life time	mechanical 8000											
	electrical 3000											
Pole number	2P	3P	4P	2P	3P	4P	2P	3P	4P	2P	3P	4P
Weight (kg)	4.2	4.7	5.2	5	5.5	6.5	5	5.5	6.5	5	5.5	6.5
Operating period(Times/S)	10											

**[N] Type EATS  
(two sections split type)**

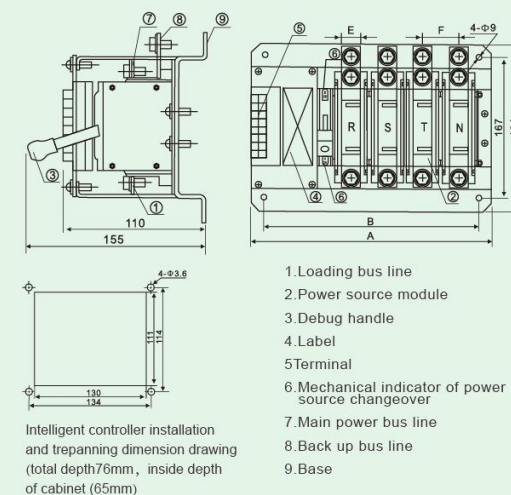


If you need, switch handle can be removed, the total height is 110 mm only

Match with B type controller



[N] Type EATS dimension drawing



Code	pole	EATS3-32N	EATS3-40N	EATS3-63N	EATS3-125N
A	2P	170		191	
	3P	197		228	
	4P	224		265	
B	2P	150		171	
	3P	177		208	
	4P	204		245	
E		12		20	
F		27		37	

**[N]type EATS specifications**

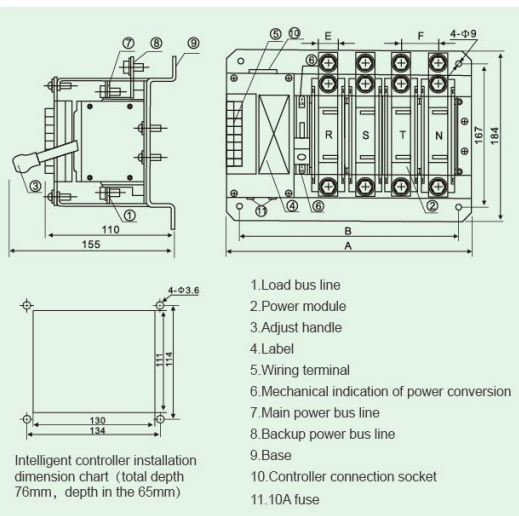
Item	EATS3-32N			EATS3-40N			EATS3-63N			EATS3-125N		
Rated current (A)	25, 32			40			63			125		
Operating current (A)	3.5											
Rated short-time withstand current (kA)	5											
Life time	mechanical 8000											
	electrical 3000											
Pole number	2P	3P	4P	2P	3P	4P	2P	3P	4P	2P	3P	4P
Weight (kg)	3.2	3.7	4.2	4	4.5	5.5	4	4.5	5.5	4	4.5	5.5
Operating period(S/Times)	10											

**[C] Type EATS  
(two sections split type)**



Total height is 110mm  
Match with D、H controller

[C] Type EATS dimension drawing



Code	Pjole	EATS3-32C	EATS3-40C	EATS3-63C	EATS3-125C
A	2P	170		191	
	3P	197		228	
	4P	224		265	
B	2P	150		171	
	3P	177		208	
	4P	204		245	
E		12		20	
F		27		37	

**[C] type EATS specifications**

Item	EATS3-32C			EATS3-40C			EATS3-63C			EATS3-125C		
Rated current (A)	25, 32			40			63			125		
Operating current (A)	3.5											
Rated short-time withstand current (kA)	5											
Life time	mechanical											
	electrical											
Pole number	2P	3P	4P	2P	3P	4P	2P	3P	4P	2P	3P	4P
Weight (kg)	3.2	3.7	4.2	4	4.5	5.5	4	4.5	5.5	4	4.5	5.5
Operating period(S/Times)	10											

**[NA, N, C] Type EATS  
(two sections) 160A ~ 400A**



**EATS3 N type**  
Rated current: 160A ~ 400A

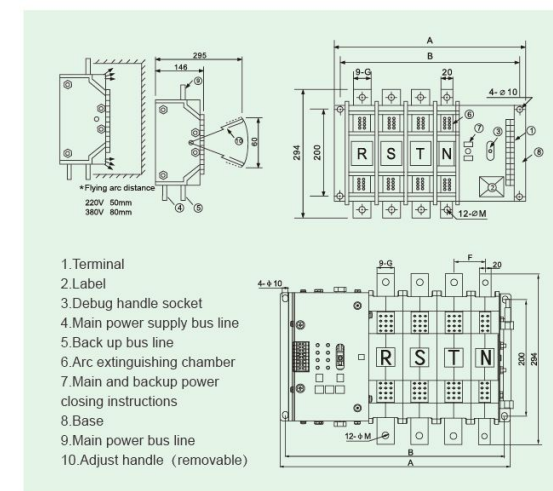


**EATS3 NA type**  
Rated current: 160A ~ 400A



**EATS3 C type**  
Rated current: 160A ~ 400A

[NA,N,C] type EATS dimension drawing



Code	Pole	EATS3-160	EATS3-200	EATS3-250	EATS3-315	EATS3-400
A	3P		322			352
	4P		372			402
B	3P		302			332
	4P		352			382
G			20			30
M			8			10
F	4P					400N/C-3 is 59; 400N/C-4P between Tand N is 54

**[NA,N,C]type 160A ~ 400A EATS specifications**

Model	EATS3-160		EATS3-200		EATS3-250		EATS3-315		EATS3-400	
Rated current (A)	160		200		250		315		400	
Operating current (A)	7									
Rated short-time withstand current (kA)	15									
Life time	mechanical									
	electrical									
Pole number	3P	4P	3P	4P	3P	4P	3P	4P	3P	4P
Weight (kg)	16	18	18	19	18	20	18.5	20.5	19	21
Operating period(S/Times)	15									

**[M] Type EATS**

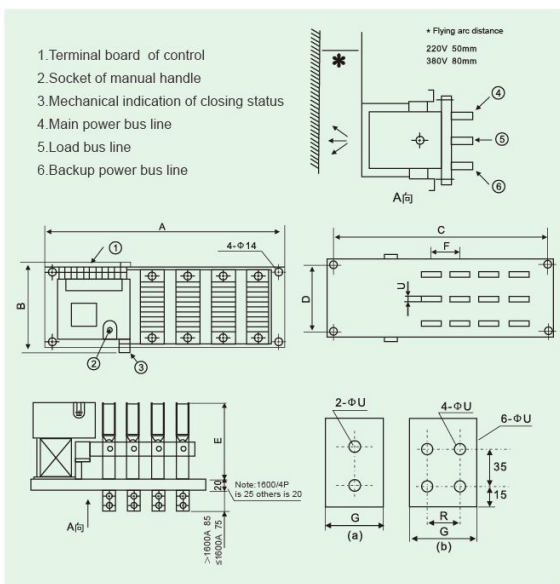


**Rated current: 630A~1600A  
Match with B type controller**

**Main function**

- >Open and close operate with a electromagnetic coil
- >Easy structure easy maintain
- >High capacity contact, new designreliable and moveable contact, strong overload ability
- >No extra electric conduction parts, Simple structure but long service life

**[M] type EATS dimension drawing**



**[M] type Dual-Power ATS specifications**

Item	EATS3-630M	EATS3-800M	EATS3-1000M	EATS3-1250M	EATS3-1600M					
Rated current (A)	630	800	1000	1250	1600					
Operating current (A)	16									
Rated short-time withstand current (kA)	15	18	20	25	32					
Life time	mechanical 3000									
	electrical 1000									
Pole number	3P	4P	3P	4P	3P	4P	3P	4P	3P	4P
Weight (kg)	37	42.5	39	46	41	48	48	57	56	67
Operating period(S/Times)	15		20		25		25		25	

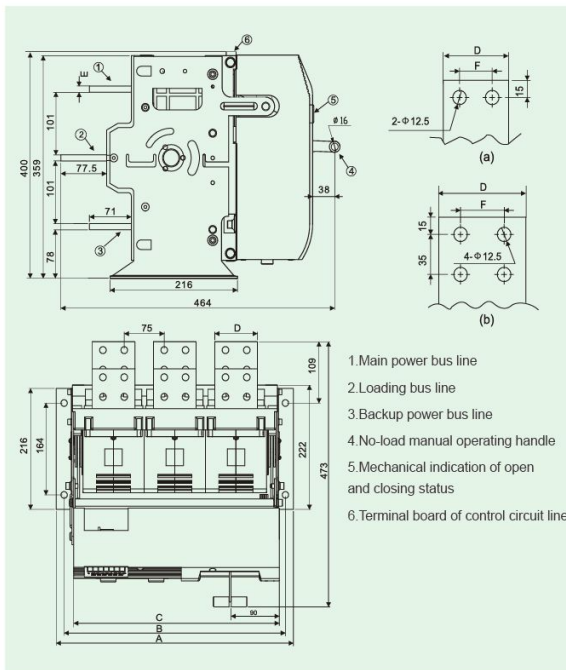
Code	pole	EATS3-630M	EATS3-800M	EATS3-1000M	EATS3-1250M	EATS3-1600M
A	3P	530				640
	4P	600				750
C	3P	490				580
	4P	560				710
B		280				
D		210				
E		250				
F		90	90	90	90	130
G		30 (a)	40 (a)	45 (a)	55 (a)	75 (b)
R		40				
U		12				

**[Q]Type EATS**  
(two section type)



Rated current: 630A ~ 3200A  
Match with B model controller

[Q] type EATS dimension drawing



[Q] type Dual-Power ATS specifications

Item	EATS3-630Q	EATS3-800Q	EATS3-1000Q	EATS3-1250Q	EATS3-1600Q	EATS3-2000Q	EATS3-2500Q	EATS3-3200Q
Rated current (A)	630	800	1000	1250	1600	2000	2500	3200
Rated voltage (V)	400V AC							
Operating current (A)	16							
Rated short-time withstand current (kA)	50				65			
Lifetime	mechanical							
	electrical							
Pole number	3P	3P	3P	3P	3P	3P	3P	3P
Weight (kg)	39	40	41	42	45	58	59.5	61
Operating period(S/Times)	15	20	25	25	25	25	25	25

Code	Pole	EATS3-630Q	EATS3-800Q	EATS3-1000Q	EATS3-1250Q	EATS3-1600Q	EATS3-2000Q	EATS3-2500Q	EATS3-3200Q
A	3P								445
B	3P								415
C	3P								385
D		50	60	60	80	80			
E		6	8			10	20	25	30
F		30 (a)				40 (b)			