 Specifications and technical data are subject to change without notice.
Please contact us to confirm relevant information on ordering.



CONTROL ELECTRIC

Copy right reserved EBS.NO.2016003



Shanghai Ebasee Electric Co., Ltd

Add:No.18, Gutang Rd,Shanghai 201209, China
Tel: +86 21 5032 0898
Fax: +86 21 5032 0828
[http:// www.ebasee.com](http://www.ebasee.com)



APP

Ebasee
Smart Living Green Ebasee
Ebasee Ltd.,China

Company Profile

As a leading supplier in the low voltage electrics industry, Shanghai Ebasee Electric Co., Ltd. products have been used for residential, commercial and industrial applications with its quality and service. EBASEE brand is recognized for its quality and reliability in an ever-increasing number of markets worldwide. So far EBASEE products have gained many international approvals, such as **TUV, KEMA, CB, SEMKO, RoHS, CE, and CCC** etc.

With quality raw materials and components supply, all products are manufactured to EBASEE's defined specifications. We have 4 semi-auto production lines, up to date quality control facilities, and well-trained skillful workers. Moreover, with a technical R & D team and fully equipped in-house laboratory, EBASEE factory can carry out efficient new products developing and daily production QC as well.

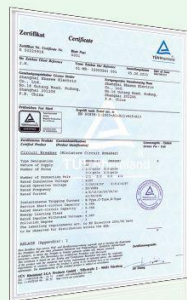
EBASEE have wide range cooperations with world leading companies in new products developing or OEM, ODM cooperation. Meanwhile we also process industry cooperation on intelligent home products, and work with some university such as Xi'an Jiao Tong University on project solutions. EBASEE is focused on achieving growth through the growth and success of its worldwide partners.

EBASEE, guided by the "market-oriented" philosophy, powered with the "Quick response and flexible supply" capability, can support our worldwide partners to compete against established global players to deliver the most comprehensive and cost-effective products and service in the market.

"Smart life, Green EBASEE"



Enterprise credit



Parameter

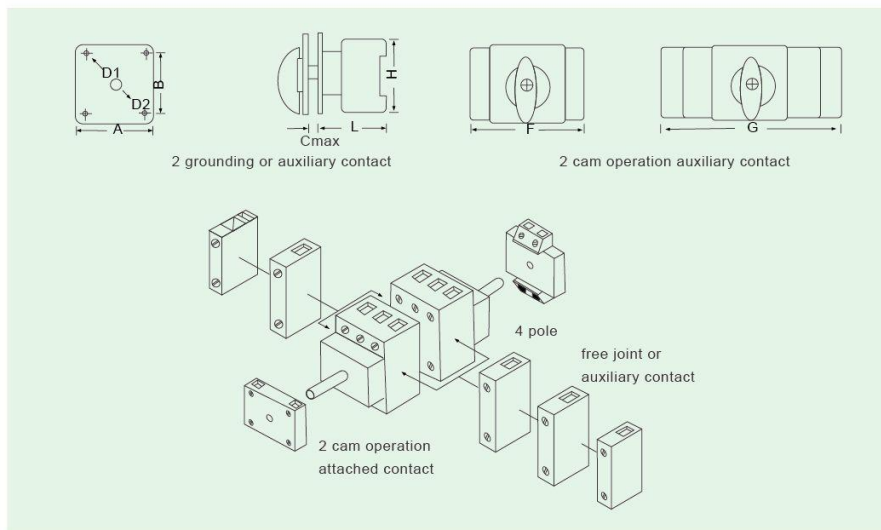
Controlled current or power	Using category	IEC/BS/VDE Rated nominal value					
		Thermal current(I _{th})	Resistance load(AC21)	AC23 Occasionally changover motor or high inductance load		AC3 Direct online start motor	
				3x220-240V	3x380-440V	3x220-240V	3x380-440V
Type							
D11-25		25A	25A	4kW	7.5kW	3kW	5.5kW
D11-32		32A	32A	5.5kW	11kW	4kW	7.5kW
D11-40		40A	40A	7.5kW	15kW	7.5kW	11kW
D11-63		63A	63A	11kW	22kW	11kW	12.5kW
D11-80		80A	80A	18.5kW	30kW	15kW	22kW
D11-100		100A	100A	22kW	73kW	18.5kW	30kW



Attention:

- >With adjustable rotation shaft, max length-200mm
- >Above types all belong to grounding type
- >P-pole, N- neutral, E-grounding terminal
- >All above type can chose accessories; side-mounting auxiliary contact, top-mounting auxiliary contact, protective cover, pad-lock handle, door inter-lock and etc.

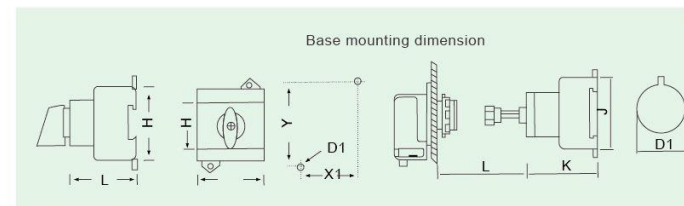
Dimension and Mounting



Parameter



Switch	Type	Pole	B	D1	F	H	L	X1	Y
D11-25/D11-32	On-Off	3pole	44	4	46	54	52	22	60
D11-40/D11-63	On-Off	3pole	45	4	53	64	59	25	70
D11-80/D11-100	On-Off	3pole	45	5.5	70	80	65	25	90



Switch	Type	Pole	A	B	Cam	D ¹	D ²	F	G	H	L _{min}	L _{max}	X ¹	X ²	Y
D11-25 D11-32	On-Off	3pole	64	48	4	4	22	42	-	54	106	176	22	-	60
	On-Off	4pole	64	48	4	4	22	56	-	54	106	176	22	-	60
	On-Off	3pole+N	64	48	4	4	22	56	-	54	106	176	22	-	60
	On-Off	3pole+N+E	64	48	4	4	22	69	-	54	106	176	22	-	60
D11-40 D11-63	On-Off	6pole	64	48	4	4	22	-	84	54	103	183	32	22	60
	On-Off	3pole	64	48	4	4	22	50	-	64	123	193	25	-	70
	On-Off	4pole	64	48	4	4	22	66	-	64	123	193	25	-	70
	On-Off	3pole+N	64	48	4	4	22	66	-	64	123	193	25	-	70
	On-Off	3pole+N+E	64	48	4	4	22	82	-	64	123	193	25	-	70
D11-80 D11-100	On-Off	6pole	64	48	4	4	22	-	100	64	126	196	50	25	70
	On-Off	3pole	64	48	4	5.5	22	70	-	80	126	198	25	-	90
	On-Off	4pole	64	48	4	5.5	22	92	-	80	126	198	25	-	90
	On-Off	3pole+N+E	64	48	4	5.5	22	104	-	80	126	198	25	-	90
On-Off	6pole	88	68	4	5.5	22	-	140	80	137	209	70	25	90	

Padlock

Specification	Dimension(mm)			
	D1	K	Lmin	Lmax
D11-20	30.5	50	21	100
D11-32	30.5	50	21	100
D11-40	30.5	61	22	100
D11-63	30.5	61	22	100
D11-80	30.5	68	23	100
D11-100	30.5	68	23	100

Panel

Specification	Dimension(mm)			
	D1	K	Lmin	Lmax
D11-20	22	50	32	118
D11-32	22	50	32	118
D11-40	22	61	32	118
D11-63	22	61	32	118
D11-80	22	68	32	118
D11-100	22	68	32	118

Lock

Specification	Dimension(mm)			
	D1	K	Lmin	Lmax
D11-40	39	61	61.6	118
D11-63	39	61	61.6	118
D11-80	39	68	61.5	118
D11-100	39	68	61.5	118

Base Mounting Dimension

